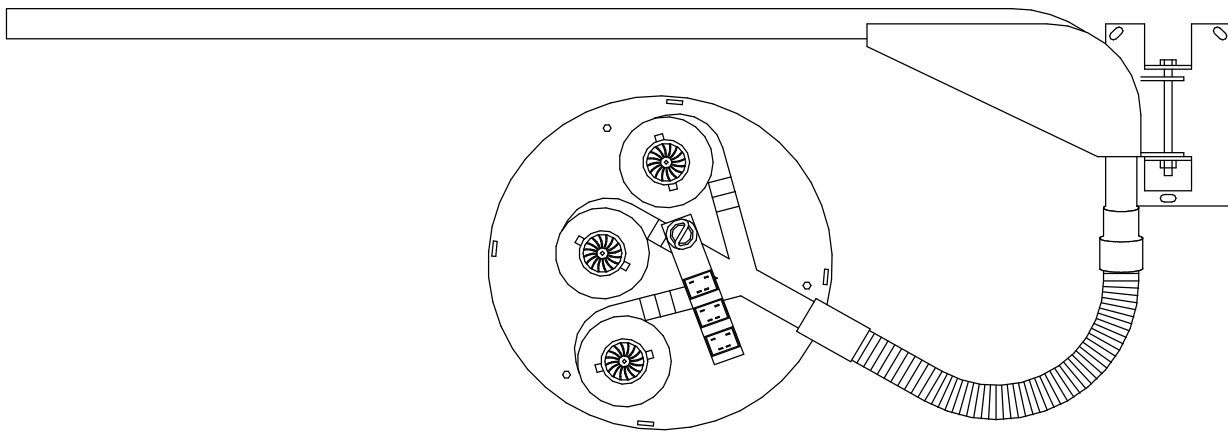


In-bay Wall Air Shammee

220 V

Touchless Spot-free Drying System

Installation Manual



(For Model ASHWALL Series II Wall Mount Dryer Unit)

Diskin Systems Inc.

9550 South IL Rt 31

Algonquin, IL 60102

(815)-276-7288



SAFETY FIRST

Always Observe all safety guidelines provided by manufacturer when installing or servicing unit.

In-Bay Wall Air Shammee

220 V Touchless Spot-free Drying System

WARNING: Read entire installation manual before attempting to install unit. Failure to read and understand installation process can lead to damage of Air Shammee unit, existing wiring, and serious injury or death.

PRIOR TO INSTALLATION:

Before attempting Air Shammee Installation please check the following requirements:

ELECTRICAL REQUIREMENTS:

1. 220V Single Phase AC 60 Hz power.
2. A 20 Amp 2 pole breaker available for power supply.
3. Drop line or wiring rated for 20 amp 240v service.
4. 24 volt signal from available position on selector switch or panel.

MOUNTING REQUIREMENTS:

1. An open area in the bay large enough to allow free swing of the hose boom and enough room to allow the hose to hang under the end of the boom tight against the wall.
2. Enough room to either mount the blower unit on the bay wall above or below the boom assembly.
3. Height close or equal to the maximum height clearance of the bay.



SAFETY FIRST

Always Observe all safety guidelines provided by manufacturer when installing or servicing unit.

In-Bay Wall Air Shammee

220 V Touchless Spot-free Drying System

INSTALLATION OF THE HOSE BOOM:

1. Disconnect all electrical service to the bay. (You will be drilling into the wall and must avoid drilling through any conduit.)

2. Hold the boom in the desired location on the wall and check for clearance of existing equipment etc.

3. Remove the boom pin and separate the boom from the mounting plate.

4. Tilt the boom base plate (approx 10 deg) either direction so that gravity will pull the boom back to desired position when the dryer is not in use.

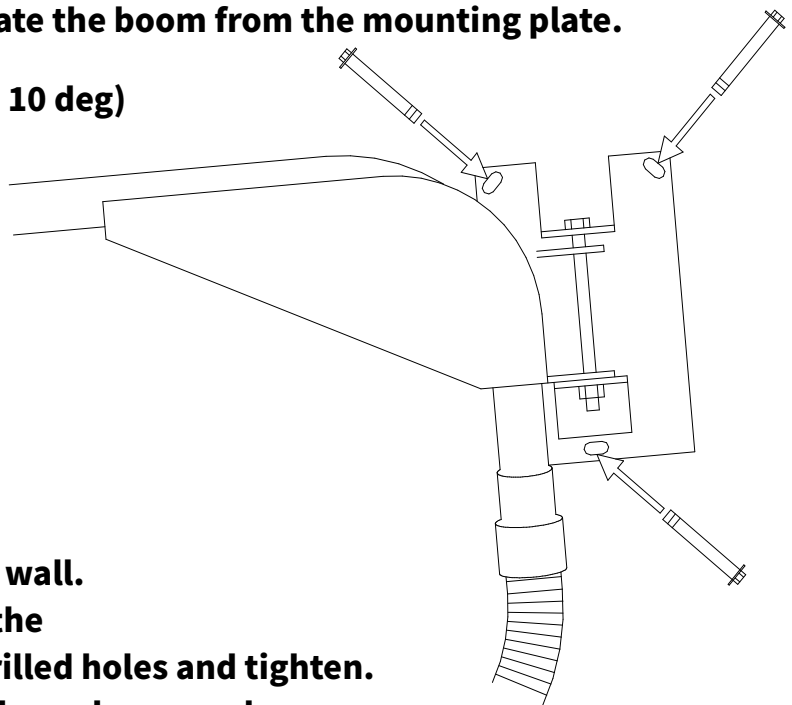
5. Mark the Holes.

6. Drill 3/8" Holes using a masonry bit in the center of each mark.

7. Hold the boom bracket up to the wall. Insert the sleeve anchors through the boom bracket holes and into the drilled holes and tighten. Use a hammer if necessary. Use 3" long sleeve anchors.

8. For installations where the dry unit mounts above the boom, invert the boom and plate so the intake points up towards the ceiling. Be sure to have enough room between the boom and the ceiling to allow for the hose to flex. Usually 1 foot minimum.

i.e. boom mounts upside down.



SAFETY FIRST

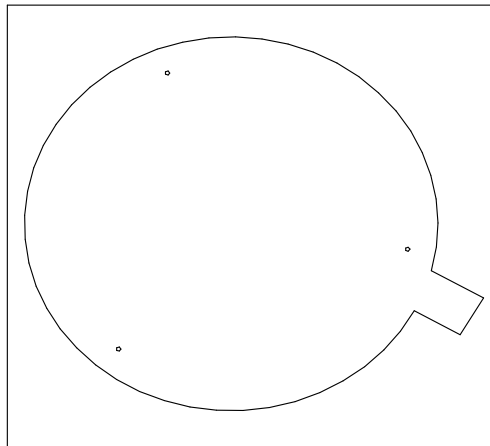
Always Observe all safety guidelines provided by manufacturer when installing or servicing unit.

In-Bay Wall Air-Shammee

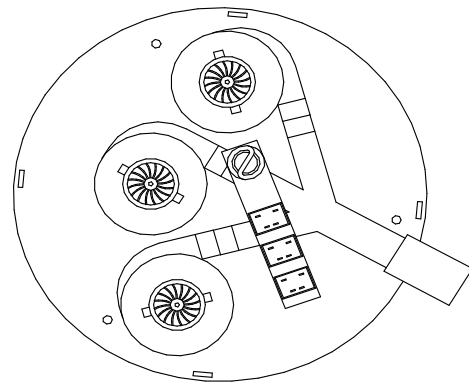
220V Touchless Spot-free Drying System

INSTALLATION OF THE AIR SHAMMEE UNIT:

1. Position the Air Shammee motor and mounting plate against the wall with the exhaust pointed toward the boom intake. Allow about 2 ft distance between unit and boom intake to allow for connector hose. The connector hose can be cut to size. The Air Shammee can be mounted in any direction, upside down, or at any angle.



CARDBOARD TEMPLATE



2. Mark mounting hole positions on wall at the chosen location. A trick to help mark the holes easily is to cut one side of the shipping box or a suitable size piece of cardboard out and set the Air Shammee unit on to the cardboard. Mark the hole location with a marker and poke holes at the center of each mark. Also trace the outline of the dryer unit to help in aligning the unit on the wall. Then just hold cardboard template up to the wall at the chosen location and mark the hole positions.

3. Drill 3/8" Holes using a masonry bit in the center of each mark. Use 4 inch sleeve anchors for mounting.



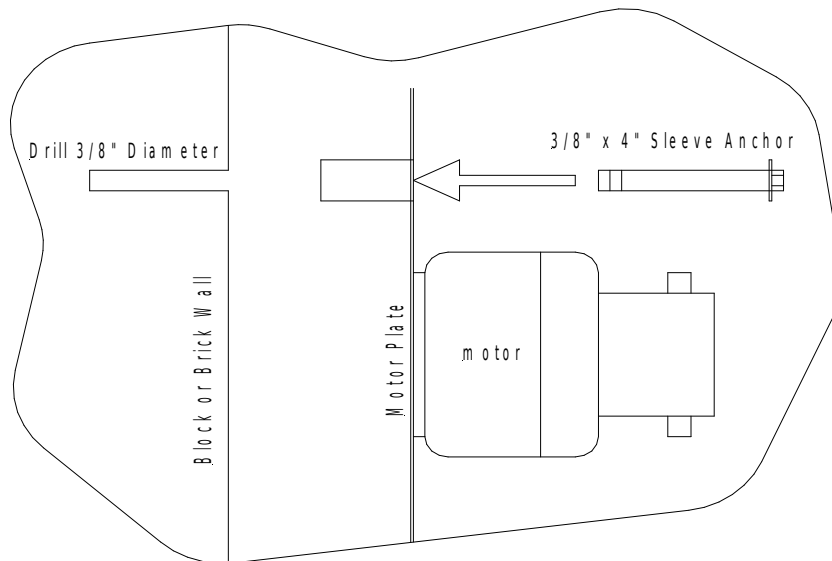
SAFETY FIRST

Always Observe all safety guidelines provided by manufacturer when installing or servicing unit.

In-Bay Wall Air Shammee

220 V Touchless Spot-free Drying System

4. Hold the unit up to the wall. Insert the sleeve anchors through the Motor plate holes and into the drilled holes and tighten. Use a hammer if necessary.



AIR SHAMMEE ELECTRICAL WIRING:

- 1. Connect the brown wires labeled 1,2,3 to one hot wire (first phase). Connect the Blue wires labeled 1,2,3 to the other hot wire (second phase). Connect the white wire to the common wire (white). Connect the Green wire to the Ground wire (green).**
- 2. Connect the two 24 volt 22 AWG wires (red and blue or green) to a two conductor cable running to the 24 volt selector switch inside the bay selector panel. Alternatively, the 24 volt cable can be connected to the signal terminal at the wash bay control panel if a spare wire is present running from the selector switch in the coin box. Red to switch position hot and blue to common.**
- 3. A wire harness is included if an hour counter is installed and is attached to the number three motor wire harness. Connect the female leads to the male ends found on the back of the hour counter.**



SAFETY FIRST

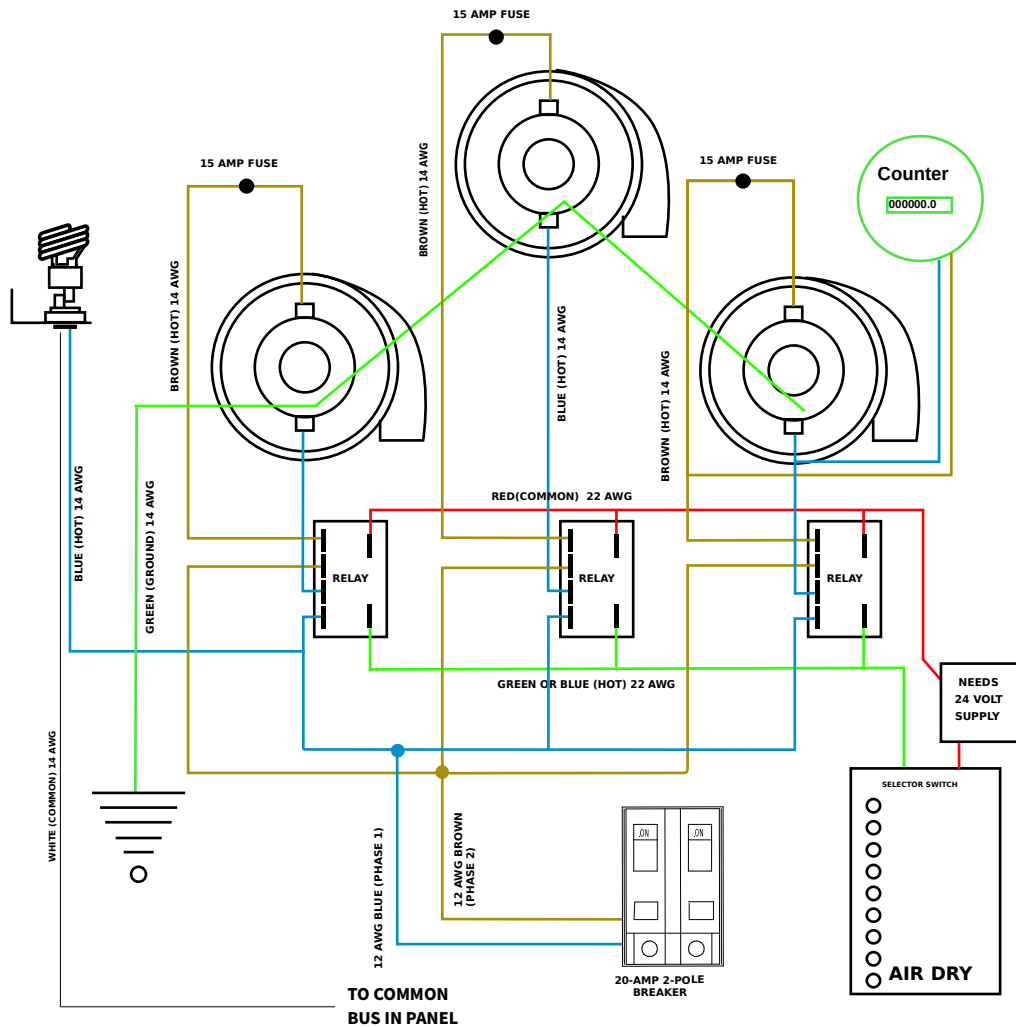
Always Observe all safety guidelines provided by manufacturer when installing or servicing unit.

In-Bay Wall Air Shammees

220 V Touchless Spot-free Drying System

4. Check all wires for loose connection and restore power by turning on circuit breaker.
5. Be sure to install the CFL light bulb provided into the light socket found on the relay bracket on the base unit before securing the dome cover.

220V AIR SHAMMEE WIRING 20 AMP TWO POLE BREAKER



SAFETY FIRST

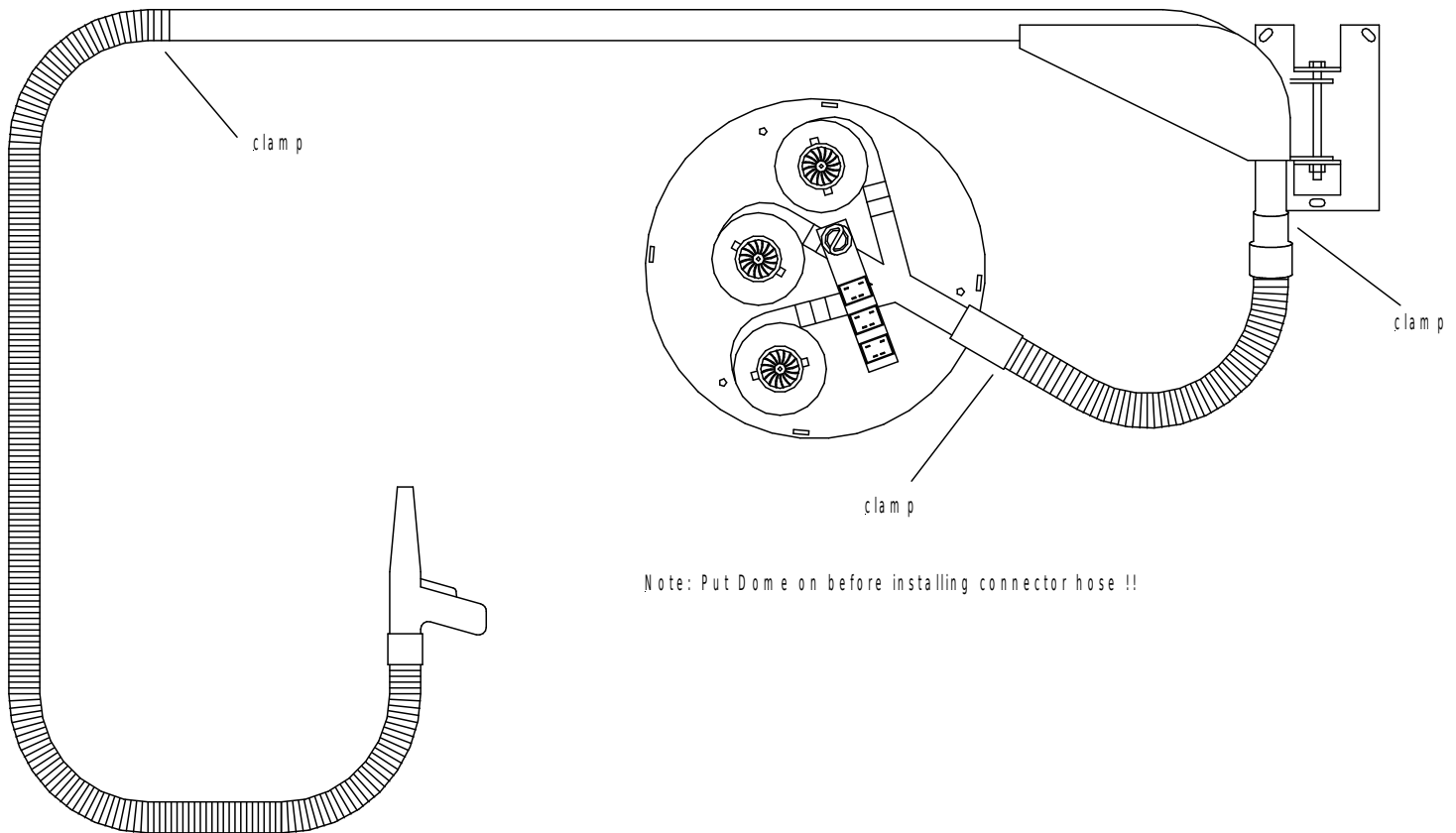
Always Observe all safety guidelines provided by manufacturer when installing or servicing unit.

In-Bay Wall Air Shammee

220 V Touchless Spot-free Drying System

INSTALLATION OF THE AIR-SHAMMEE HOSE ASSEMBLY:

- 1. Connect boom connector hose to dryer output and tighten clamp. Cut down size if necessary. Use provided hose clamps to secure the hose.**
 - 2. Attach 13 ft Hose with nozzle assembly to the boom exhaust using provided hose clamps.**
 - 3. Check to make sure hose reaches all areas of the bay and does not rest excessively on bay floor. Cut hose if necessary.**
- Note: Hose may grow longer due to pressure and heat and may start to drag on the bay floor with time. Trim hose if this happens.**



SAFETY FIRST

Always Observe all safety guidelines provided by manufacturer when installing or servicing unit.